

Stainless Steel-Retaining rods

for clamp mountings, angled

SPECIFICATION

Stainless steel **NI**
AISI 304
blank

INFORMATION

The dimensions of GN 480.3 Stainless Steel-Retaining rods are tailored for use with clamp mountings.

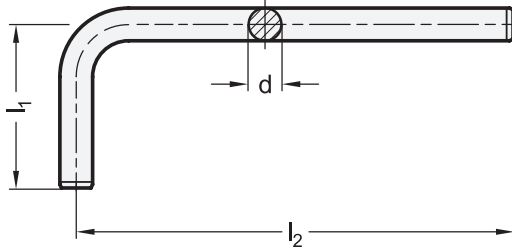
The angled Stainless Steel-Retaining rods make it possible to create compact and space-saving clamp mounting structures efficiently and cost-effectively with few components.

ON REQUEST

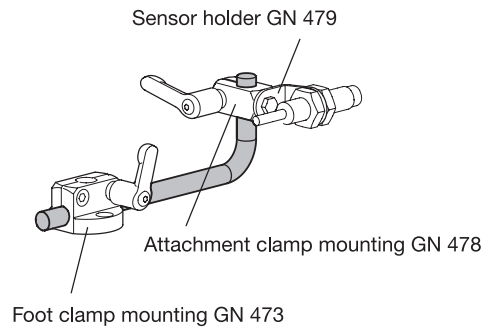
- other dimensions for l_1 and l_2

TECHINICAL INFORMATION

- Stainless Steel Characteristics (see page A26)



Application example



GN 480.3

Description	d	l_1	l_2	⚖
GN 480.3-D8-30-90-NI	D 8	30	90	45
GN 480.3-D8-50-150-NI	D 8	50	150	76
GN 480.3-D8-80-240-NI	D 8	80	240	125
GN 480.3-D10-50-150-NI	D 10	50	150	118
GN 480.3-D10-70-210-NI	D 10	70	210	170
GN 480.3-D10-100-300-NI	D 10	100	300	240